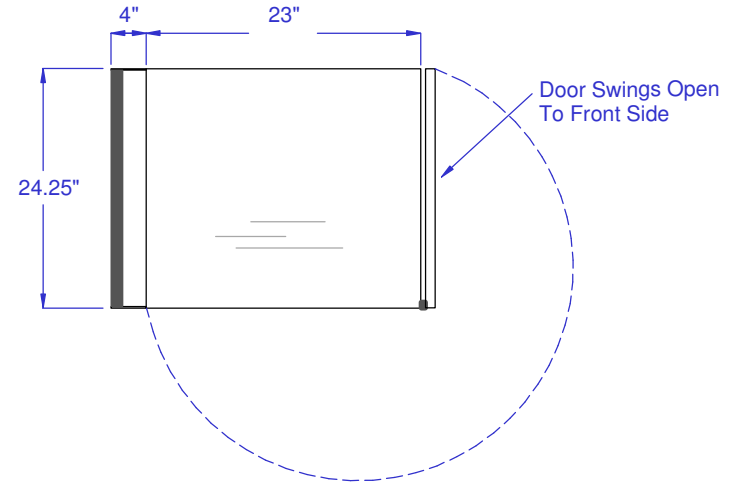
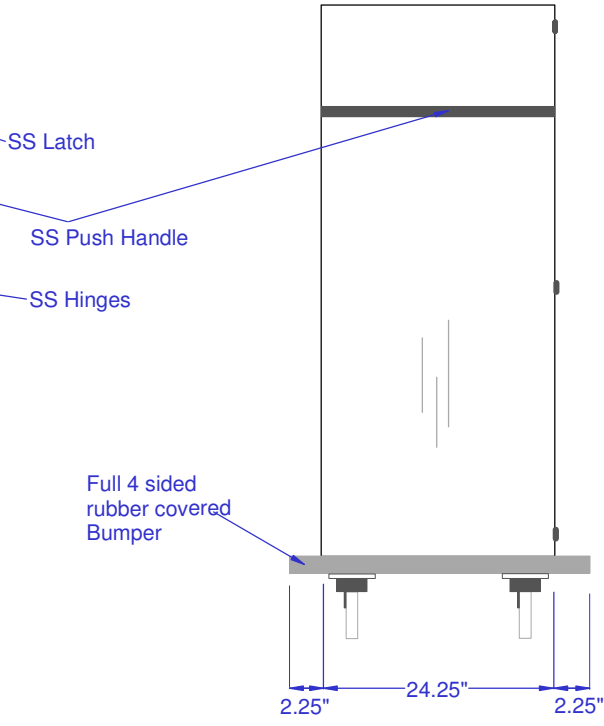
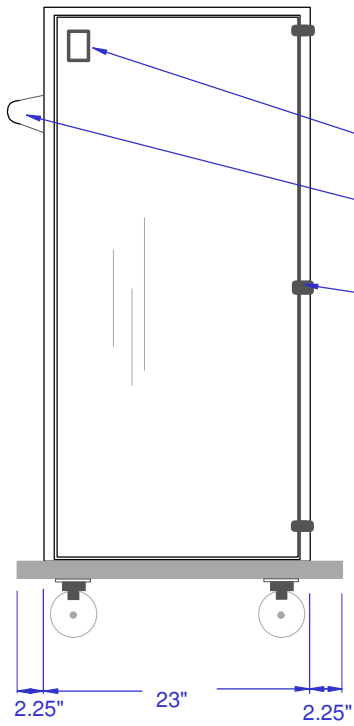





Side View

Back View

Top View



Approval: _____
 Date: _____

 Automated Technologies, LLC	Approvals Drawn By J. Lamb Approved By N/A		Date 2/16/11		GAT-CASE-CRT-2324.2547-SS-ST
	TITLE SS Case cart SS Hardware 6" Casters Wrap Around Bumper			Material: SS 304 #3 16 Ga.	
PROPRIETARY <small>THIS DOCUMENT AND THE DATA DISCLOSED HEREIN OR HERewith IS NOT TO BE REPRODUCED, USED OR OTHERWISE DISCLOSED IN WHOLE OR IN PART TO ANYONE WITHOUT THE WRITTEN AUTHORIZATION FROM G2 AUTOMATED TECHNOLOGIES, LLC</small>					
SIZE N/A		CAGE CODE		DWG NO GAT-CASE-CRT-2324.2547-Overall	
SCALE		REV		SHEET 1-0	

