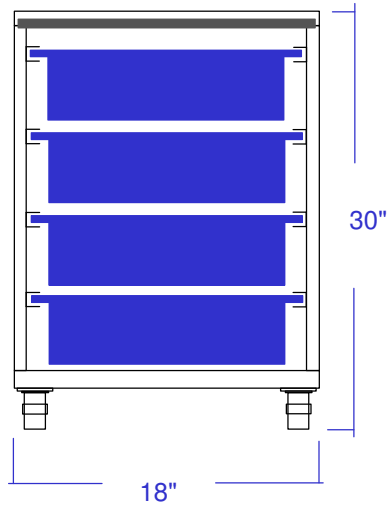
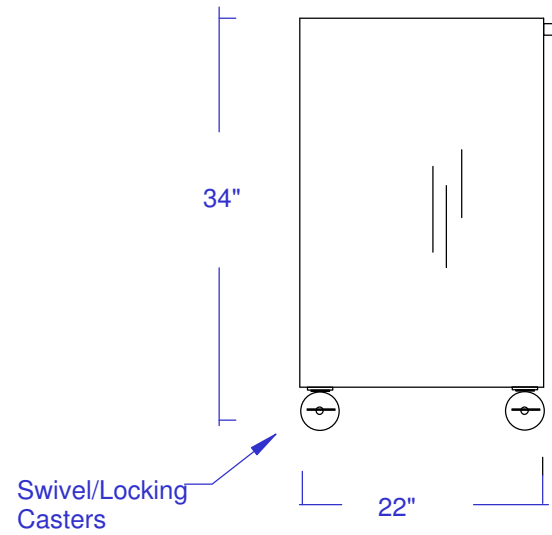


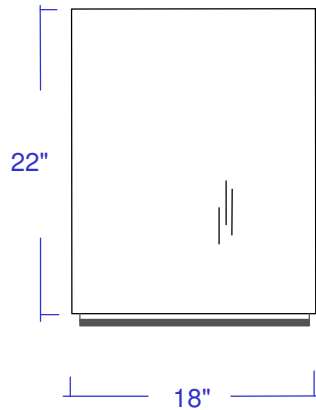
Front View




Side View



Top View



	Approvals Drawn By J. Lamb Approved By		Date 11/30/10		GAT-CRT-IAS-182230-SS
	TITLE 22"Dx18"Wx30"H Under Table Cart Holds 4 Bins Swivel Locking Casters			Material: 16 Ga. SS 304 #3 Sheet 16 Ga. SS 1.5" Sq. Tube	
PROPRIETARY THIS DOCUMENT AND THE DATA DISCLOSED HEREIN OR HERewith IS NOT TO BE REPRODUCED, USED OR OTHERWISE DISCLOSED IN WHOLE OR IN PART TO ANYONE WITHOUT THE WRITTEN AUTHORIZATION FROM G2 AUTOMATED TECHNOLOGIES, LLC					
SIZE N/A		CAGE CODE		DWG NO GAT-CRT-IAS-182230-Overall	
SCALE Not To Scale				REV SHEET	

A4